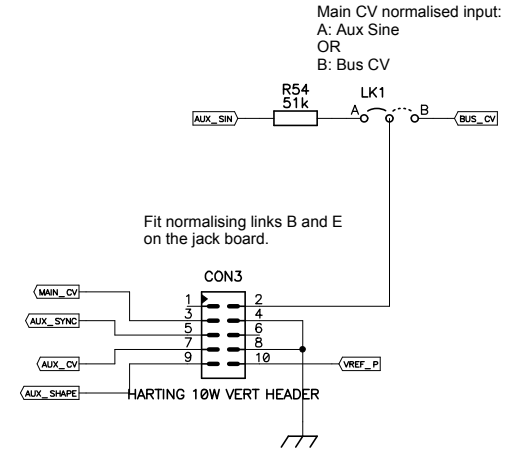
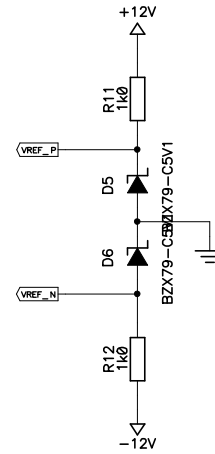
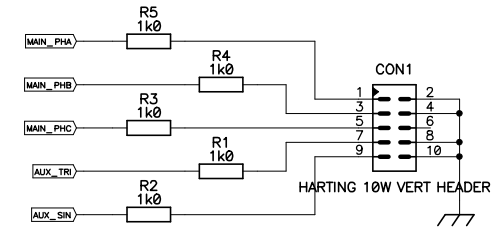
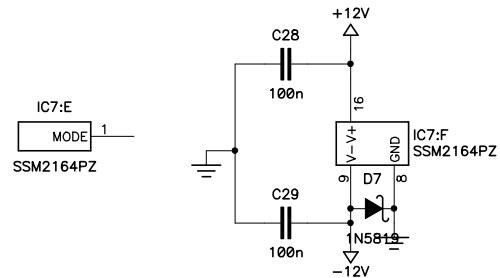
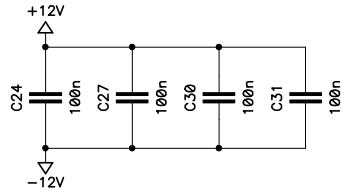
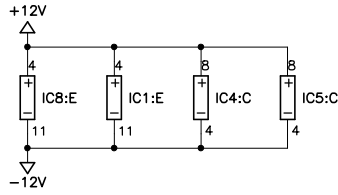
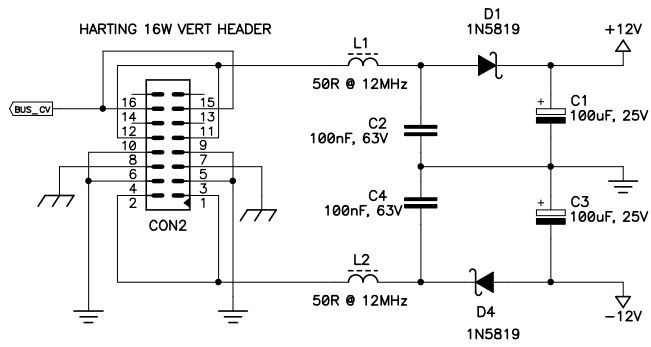
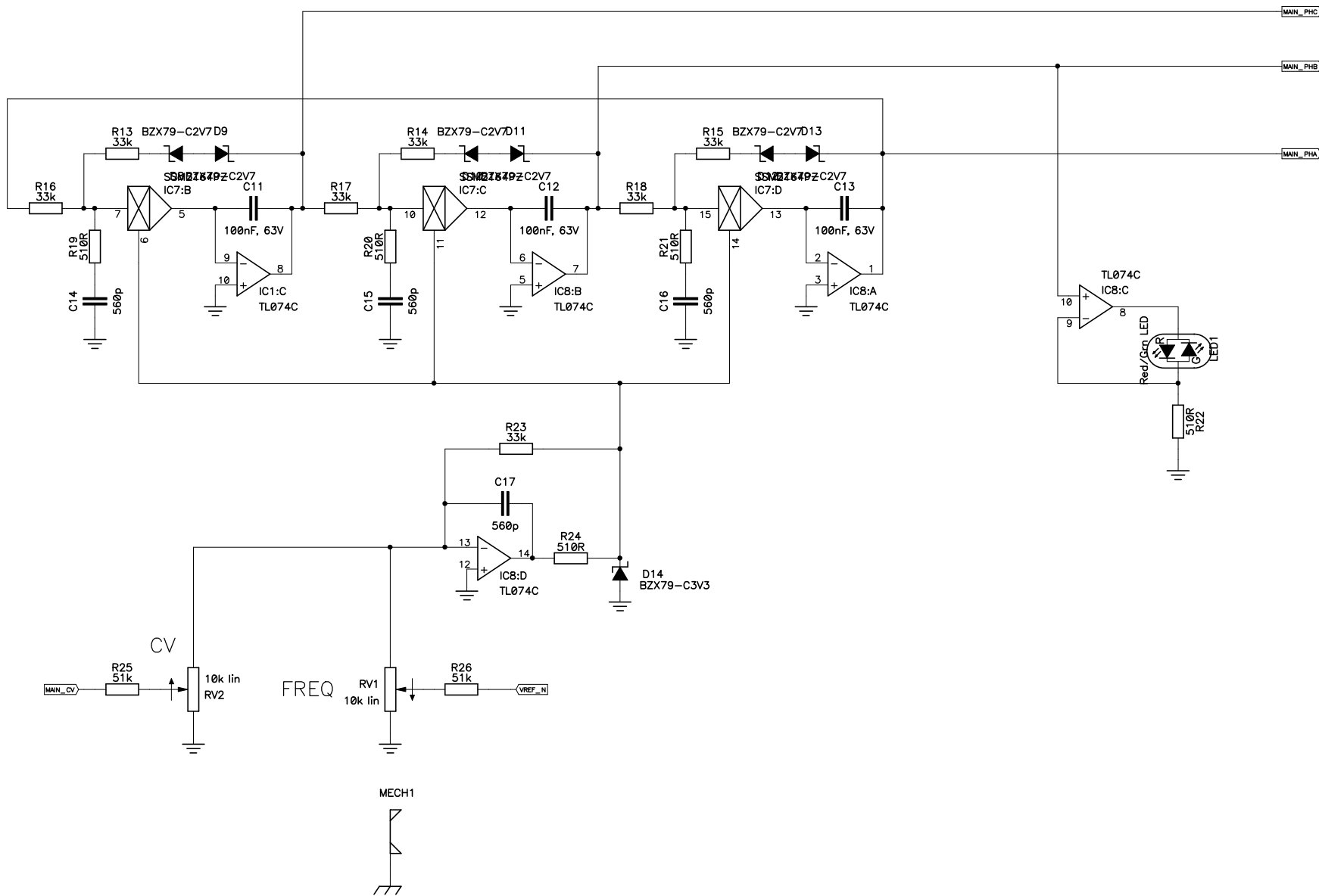


NOTE SEPARATE CHASSIS GROUND!!!

PIN 1 = "RED STRIPE"



		DualLFO			
		www.cesyg.com	Size	Number	Rev
Copyright (C) Neil Johnson		Date	Fri Nov 24, 2017	Drawn by	NJ
Filename CE-101-0004A.sch		Sheet	1	of	3



CESYG Electronic Design **DualLFO**

www.cesyg.com

Size	Number	Rev
	CE-101-0004	A
Date	Fri Nov 24, 2017	Drawn by NJ
Filename	CE-101-0004A.sch	Sheet 2 of 3

Copyright (C) Neil Johnson

